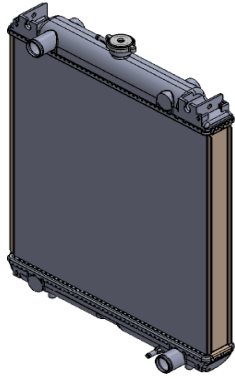


IMS AL-4023

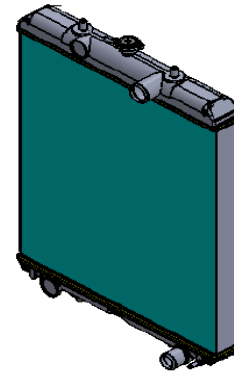


KUBOTA KX151/159 **A/P**

Core Size : 500X448X48mm

OEM Ref. :

IMS AL-4024

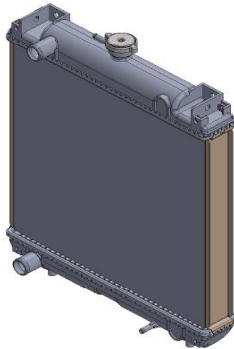


KUBOTA KX185 **A/P**

Core Size : 598X540X56mm

OEM Ref. :

IMS AL-4026

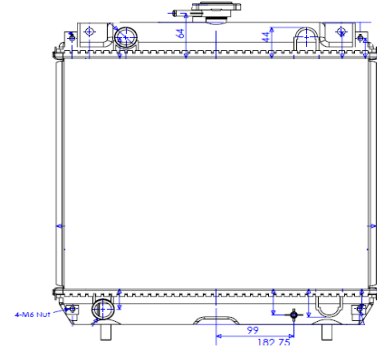


KUBOTA 2001-2002 GT Series Tractor **A/P**

Core Size : 377X388X48mm

OEM Ref. :

IMS AL-4027

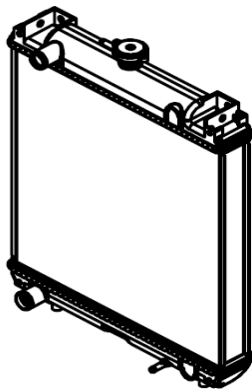


KUBOTA 2000-2005 B Series Tractor **A/P**

Core Size : 328X388X48mm

OEM Ref. : 6C070-5852-2

IMS AL-4028

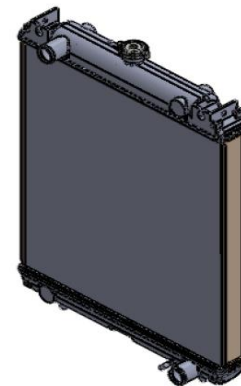


KUBOTA DGW400 Welder Generator **A/P**

Core Size : 402X388X48mm

OEM Ref. : 1K524-7206-1

IMS AL-4029

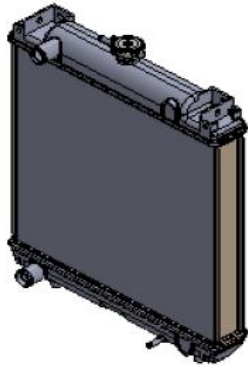


KUBOTA U-30 -50K-30/35 **A/P**

Core Size : 501X448X48mm

OEM Ref. : RD411-4230

IMS AL-4030

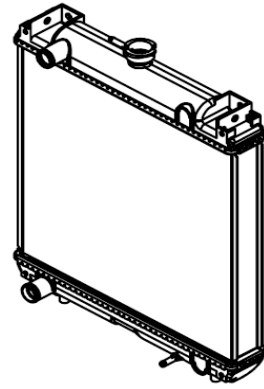


KUBOTA B2400 **A/P**

Core Size : 377X388X48mm

OEM Ref. : 6C040-5852-2

IMS AL-4031

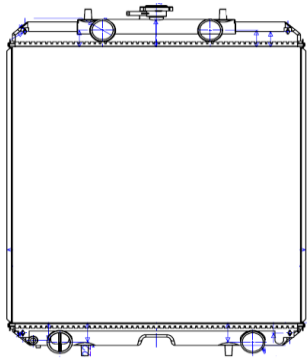


KUBOTA R1-211 **A/P**

Core Size : 377X388X48mm

OEM Ref. : 52420-2599-2

IMS AL-4032



KUBOTA F11 **A/P**

Core Size : 574X538X56mm

OEM Ref. : 3F240-7206-2

KIT K1-1

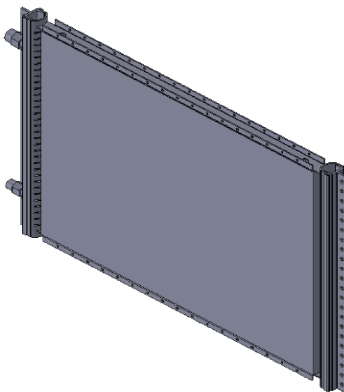


KUBOTA **C/B**

Core Size : 549X377X3 Row

C99000406 – belong to APU Kubota Engine

KIT K1-2

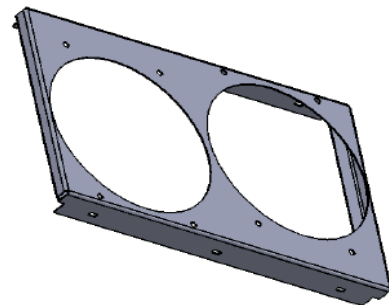


KUBOTA **CONDENSER**

Core Size : 478X334X22mm

C99000406 – belong to APU Kubota Engine

KIT K1-3



KUBOTA **FANSHROUD**

Core Size :

C99000406 – belong to APU Kubota Engine